

Planetary Gearheads

0,7 Nm

For combination with
DC-Micromotors
Brushless DC-Motors

Series 22/7

	22/7
Housing material	metal
Geartrain material	steel
Recommended max. input speed for:	
– continuous operation	4 000 rpm
Backlash, at no-load	≤ 1 °
Bearings on output shaft	ball bearings, preloaded
Shaft load, max.:	
– radial (10 mm from mounting face)	≤ 170 N
– axial	≤ 150 N
Shaft press fit force, max.	≤ 150 N
Shaft play	
– radial (10 mm from mounting face)	≤ 0,03 mm
– axial	≤ 0,1 mm
Operating temperature range	- 30 ... + 100 °C

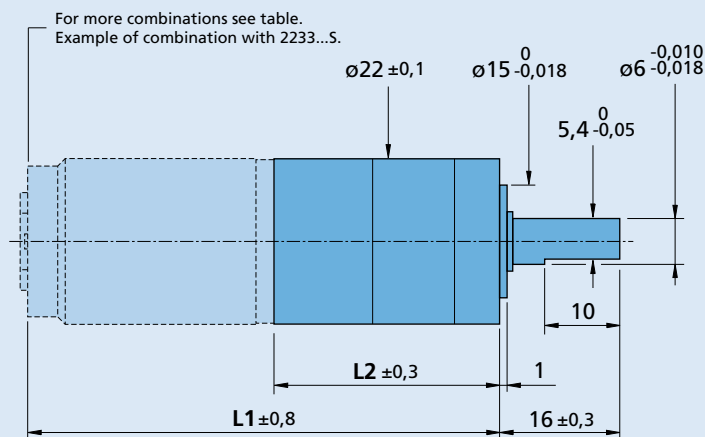
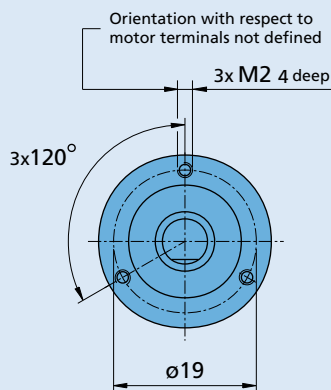
Specifications

	1	2	3	4	5
Number of gear stages					
Continuous torque	mNm 200	300	700	700	700
Intermittent torque	mNm 400	600	1 000	1 000	1 000
Weight without motor, ca.	g 68	63	76	88	102
Efficiency, max.	% 88	80	70	60	55
Direction of rotation, drive to output	=	=	=	=	=
Reduction ratio ¹⁾ (rounded)	3,71:1	9,7:1 14:1	43:1 66:1	94:1 112:1 134:1 159:1 190:1 246:1	415:1 592:1 989:1 1 526:1
L2 [mm] = length without motor ²⁾	27,9	34,1	40,3	46,4	52,6
L1 [mm] = length with motor	2224U...SR 48,2	2230U...S 54,4	2232U...SR 60,6	2233U...S 66,7	2237S...CXR 72,9
	2342S...CR 54,0	2232S...BSL 60,2	2232S...BX4(S) 66,4	2248S...BSL 72,5	2250S...BX4(S) 78,7
	2444S...B 56,2	2232U...SR 62,4	2233U...S 68,6	2237S...CXR 74,7	2248S...BSL 80,9
	2230U...S 56,6	2232U...SR 62,8	2233U...S 69,0	2237S...CXR 75,1	2248S...BSL 81,3
	2237S...CXR 64,9	2237S...CXR 71,1	2237S...CXR 77,3	2237S...CXR 83,4	2237S...CXR 89,6
	2237S...CXR 69,9	2237S...CXR 76,1	2237S...CXR 82,3	2237S...CXR 88,4	2237S...CXR 94,6
	2237S...CXR 60,3	2237S...CXR 66,5	2237S...CXR 72,7	2237S...CXR 78,8	2237S...CXR 85,0
	2237S...CXR 61,7	2237S...CXR 67,9	2237S...CXR 74,1	2237S...CXR 80,2	2237S...CXR 86,4
	2237S...CXR 75,9	2237S...CXR 82,1	2237S...CXR 88,3	2237S...CXR 94,4	2237S...CXR 100,6
	2237S...CXR 79,7	2237S...CXR 85,9	2237S...CXR 92,1	2237S...CXR 98,2	2237S...CXR 104,4
	2237S...CXR 71,9	2237S...CXR 78,1	2237S...CXR 84,3	2237S...CXR 90,4	2237S...CXR 96,6

¹⁾ The reduction ratios are rounded, the exact values are available on request or at www.faulhaber.com.

²⁾ L2 - 3,9 mm, in combination with 2224U...SR, 2230U...S, 2232U...SR and 2233U...S.

Note: Reduction ratio 3,71:1 with motor types 2224U...SR, 2230U...S, 2232U...SR and 2233U...S shall be ordered as 22/7 3,71:1 - K288.



22/7