

# Brushless DC-Servomotors

## with integrated Encoder

### 4 Pole Technology

## 43 mNm

For combination with  
Gearheads:  
22F, 22/7, 26A

### 2250 ... BX4 + Encoder

	2250 S		024 BX4	
1 Nominal voltage	$U_N$		24	Volt
2 Terminal resistance, phase-phase	R		5,9	$\Omega$
3 Output power <sup>1)</sup>	$P_{2 \text{ max.}}$		17,3	W
4 Efficiency	$\eta_{\text{ max.}}$		75	%
5 No-load speed	$n_0$		6 000	rpm
6 No-load current (with shaft $\varnothing$ 3,0 mm)	$I_0$		0,072	A
7 Stall torque	$M_H$		149	mNm
8 Friction torque, static	$C_0$		1,2	mNm
9 Friction torque, dynamic	$C_v$		$2,4 \cdot 10^{-4}$	mNm/rpm
10 Speed constant	$k_n$		259	rpm/V
11 Back-EMF constant	$k_E$		3,860	mV/rpm
12 Torque constant	$k_M$		36,9	mNm/A
13 Current constant	$k_I$		0,027	A/mNm
14 Slope of n-M curve	$\Delta n / \Delta M$		41,4	rpm/mNm
15 Terminal inductance, phase-phase	L		240	$\mu\text{H}$
16 Mechanical time constant	$\tau_m$		4,3	ms
17 Rotor inertia	J		10	$\text{gcm}^2$
18 Angular acceleration	$\alpha_{\text{ max.}}$		149	$\cdot 10^3 \text{ rad/s}^2$
19 Thermal resistance	$R_{\text{th } 1} / R_{\text{th } 2}$	1,2 / 10,5		K/W
20 Thermal time constant	$\tau_{w1} / \tau_{w2}$	4,2 / 424		s
21 Operating temperature range		- 40 ... + 100		$^{\circ}\text{C}$
22 Shaft bearings		ball bearings, preloaded		
23 Shaft load max.:				
– radial at 3 000 rpm (4 mm from mounting flange)		20		N
– axial at 3 000 rpm		2		N
– axial at standstill		20		N
24 Shaft play:				
– radial	$\leq$	0,015		mm
– axial	$=$	0		mm
25 Housing material		stainless steel		
26 Weight		117		g
27 Direction of rotation		electronically reversible		
28 Number of pole pairs		2		
<b>Recommended values - mathematically independent of each other</b>				
29 Speed up to	$n_{e \text{ max.}}$		18 000	rpm
30 Torque up to <sup>1) 2)</sup>	$M_{e \text{ max.}}$		27 / 43	mNm
31 Current up to <sup>1) 2)</sup>	$I_{e \text{ max.}}$		0,89 / 1,37	A

<sup>1)</sup> at 5 000 rpm

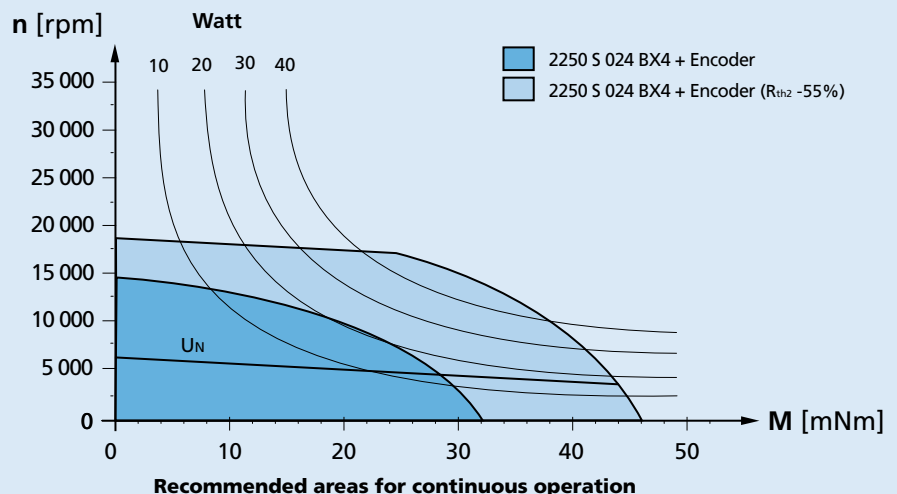
<sup>2)</sup> thermal resistance  $R_{\text{th } 2}$  not reduced / thermal resistance  $R_{\text{th } 2}$  by 55% reduced

#### Note:

The diagram indicates the recommended speed in relation to the available torque at the output shaft for a given ambient temperature of 22°C.

The diagram shows the motor in a completely insulated as well as thermally coupled condition ( $R_{\text{th } 2}$  55% reduced).

The nominal voltage ( $U_N$ ) curve shows the operating point at nominal voltage in the insulated and thermally coupled condition. Any points of operation above the curve at nominal voltage will require a higher operating voltage. Any points below the nominal voltage curve will require less voltage.



### Features

The brushless DC-servomotors feature in this version an Encoder that is available with different interfaces. A permanent magnet on the shaft creates a moving magnetic field which is captured using a single-chip angular sensor and further processed.

In the **IE3** version, the brushless DC servomotors have an encoder with 3 output channels. At the encoder outputs, two 90° phase-shifted rectangular signals are available with up to 1 024 impulses and an index impulse per motor revolution. The encoder is available in a variety of different resolutions and is suitable for speed control and positioning applications.

The Line Driver **IE3L** version has differential signal outputs (TIA-422). Differential signals reduce ambient interference and are suitable for applications with high ambient interference. The line driver amplifies the encoder signal which means that long cables can be used without signal degradation. Differential signal outputs must be decoded by the appropriate receiver module. The motor and encoder cables are connected via separate ribbon cables. Other resolutions of 1 - 127 impulses are available on request.

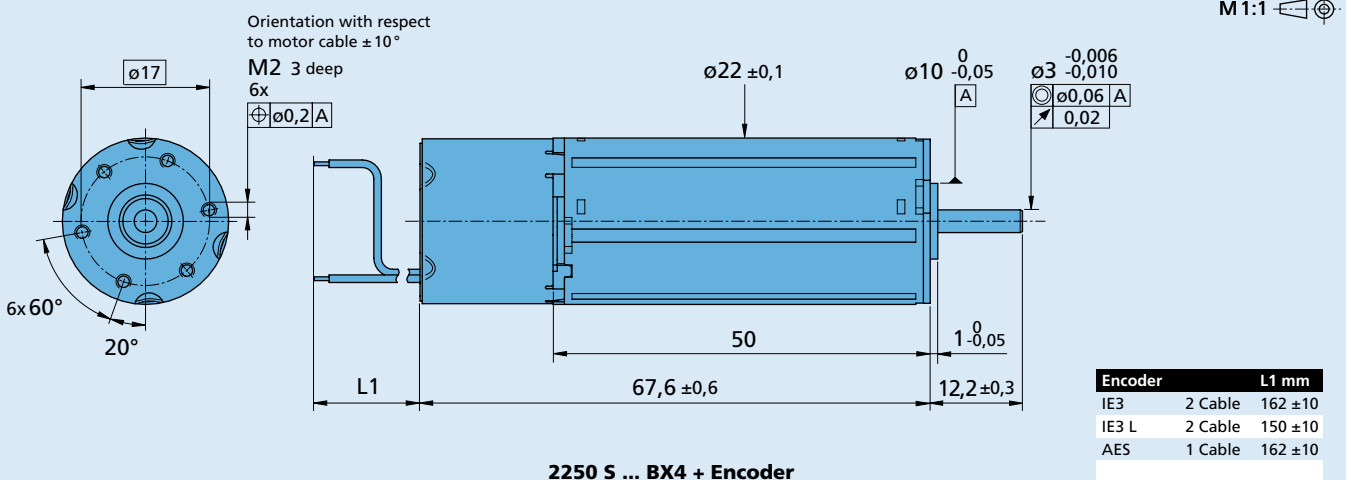
In the **AES** version (absolute encoder), absolute position information is provided with a resolution of 4096 steps per revolution at the signal outputs and communicated via a serial (SSI) interface. Absolute means, that each shaft position is assigned to a unique angular value within one revolution. This value is already available directly after power-on.

The absolute encoder is ideal for commutation, speed and position control of the motor. It can be used to create a sinusoidal commutation signal. The advantages are a reduced torque ripple, a higher efficiency, and reduced electrical noise generation.

Motor and encoder are connected via a common ribbon cable.

For more information about installation and setup a detailed instruction manual is included with the product or is available online at [www.faulhaber.com](http://www.faulhaber.com)

### Dimensional drawing



Brushless DC-Servomotor 2250 ... BX4 with Encoder		IE3-32	IE3-64	IE3-128	IE3-256	IE3-512	IE3-1024	
Lines per revolution	N	32	64	128	256	512	1024	
Frequency range <sup>1)</sup> , up to	f	15	30	60	120	240	430	kHz
Signal output, square wave		2+1 Index						channels
Supply voltage Encoder	U <sub>DD Enc</sub>	4,5 ... 5,5						V DC
Current consumption, typical <sup>2)</sup>	I <sub>DD Enc</sub>	typ. 16, max. 23						mA
Output current, max. allowable <sup>3)</sup>	I <sub>OUT</sub>	4						mA
Index Pulse width <sup>4)</sup>	P <sub>0</sub>	90 ± 45				90 ± 75		°e
Phase shift, channel A to B <sup>4)</sup>	Φ	90 ± 45				90 ± 75		°e
Signal rise/fall time, max. (C <sub>LOAD</sub> = 50 pF)	tr/tf	0,1/0,1						µs
Inertia of encoder magnet	J	0,08						gcm <sup>2</sup>

Connection information Motor								
Supply voltage Hallsensors <sup>5)</sup>	U <sub>DD</sub>	2,2 ... 18				4,5 ... 5,5		V DC

<sup>1)</sup> speed (rpm) = f (Hz) x 60/N

<sup>2)</sup> U<sub>DD Enc</sub> = 5V: with unloaded outputs

<sup>3)</sup> U<sub>DD Enc</sub> = 5V: low logic level < 0,4V, high logic level > 4,5V: CMOS- and TTL compatible

<sup>4)</sup> at 5 000 rpm

<sup>5)</sup> IE3-32/64/128/256 U<sub>DD</sub> ≠ U<sub>DD Enc</sub> (galvanically isolated)

IE3-512 / 1024 U<sub>DD</sub> = U<sub>DD Enc</sub>

### Features / Connector information

#### Options

- Connector variant (Option no. 3592)

#### Encoder:

AWG 28 / PVC ribbon cable with connector PicoBlade (pitch 1,25 mm)



#### Motor:

AWG 26 / PVC ribbon cable with connector Micro-Fit

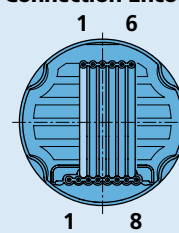


#### Full product description

- Examples:

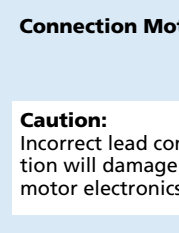
2250S024BX4 IE3-1024

#### Connection Encoder



No.	Function
1	n.c.
2	Channel I (Index)
3	GND <sub>Enc</sub>
4	U <sub>DD Enc</sub>
5	Channel B
6	Channel A

#### Connection Motor

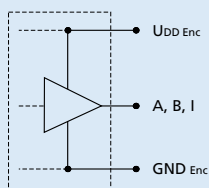


No.	Function
1	Phase C
2	Phase B
3	Phase A
4	GND
5	U <sub>DD</sub>
6	Hall sensor C
7	Hall sensor B
8	Hall sensor A

**Caution:**  
Incorrect lead connection will damage the motor electronics!

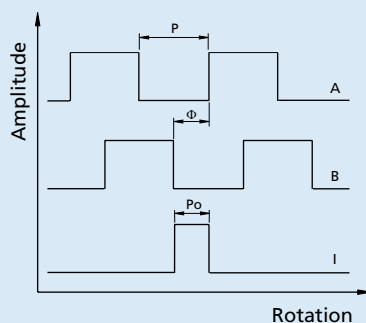
### Output signals / Circuit diagram

#### Output circuit



#### Output signals

with clockwise rotation as seen from the shaft end



Admissible deviation of phase shift/Index pulse:

$$\Delta\Phi = \left| 90^\circ - \frac{\Phi}{P} * 180^\circ \right| \leq 75^\circ \quad \Delta P_0 = \left| 90^\circ - \frac{P_0}{P} * 180^\circ \right| \leq 75^\circ$$

Brushless DC-Servomotor 2250 ... BX4 with Encoder		IE3-32 L	IE3-64 L	IE3-128 L	IE3-256 L	IE3-512 L	IE3-1024 L	
Lines per revolution	N	32	64	128	256	512	1024	
Frequency range <sup>1)</sup> , up to	f	15	30	60	120	240	430	kHz
Signal output, square wave		2+1 index and complementary outputs						channels
Supply voltage	U <sub>DD Enc</sub>	4,5 ... 5,5						V DC
Current consumption, typical <sup>2)</sup>	I <sub>DD Enc</sub>	typ. 17, max. 25						mA
Index Pulse width <sup>3)</sup>	P <sub>0</sub>	90 ± 45				90 ± 75		°e
Phase shift, channel A to B <sup>3)</sup>	Φ	90 ± 45				90 ± 75		°e
Inertia of encoder magnet	J	0,08						gcm <sup>2</sup>

<sup>1)</sup> speed (rpm) = f (Hz) x 60/N

<sup>2)</sup> U<sub>DD Enc</sub> = 5 V: with unloaded outputs

<sup>3)</sup> at 5 000 rpm

**Notes:** The output signals are TIA-422 compatible.

Examples of Line driver Receivers: ST26C32ABD (STM), ST26C32IP16 (EXAR), DS26C32AT (NSC).

### Features / Connector information

#### Options

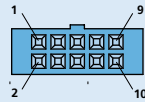
- Connector variant (Option no.: 3589)

#### Motor:

AWG 26 / PVC ribbon cable with connector Micro-Fit

#### Encoder:

AWG 28 / PVC ribbon cable with connector DIN-41651 (pitch 2,54 mm)

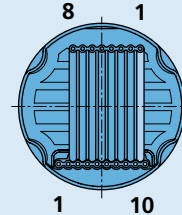


#### Full product description

- Examples:

2250S024BX4 IE3-1024 L

#### Connection Motor



No.	Function
1	Phase C
2	Phase B
3	Phase A
4	GND
5	U <sub>DD</sub> (2,2 ... 18V DC)
6	Hall sensor C
7	Hall sensor B
8	Hall sensor A

#### Connection Encoder

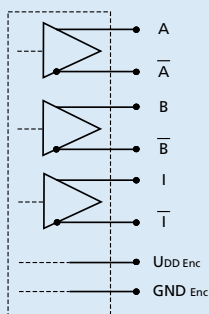
No.	Function
1	n.c.
2	U <sub>DD Enc</sub>
3	GND <sub>Enc</sub>
4	n.c.
5	Channel $\bar{A}$
6	Channel A
7	Channel $\bar{B}$
8	Channel B
9	Channel $\bar{I}$ (Index)
10	Channel I (Index)

#### Caution:

Incorrect lead connection will damage the motor electronics!

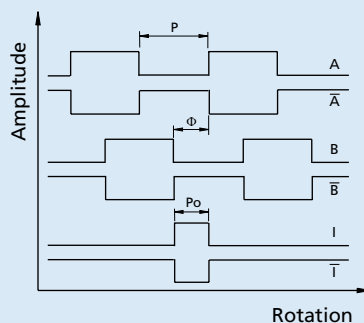
### Output signals / Circuit diagram

#### Output circuit



#### Output signals

with clockwise rotation as seen from the shaft end



Admissible deviation of phase shift/Index pulse:

$$\Delta\Phi = \left| 90^\circ - \frac{\Phi}{P} * 180^\circ \right| \leq 75^\circ \quad \Delta P_0 = \left| 90^\circ - \frac{P_0}{P} * 180^\circ \right| \leq 75^\circ$$

Brushless DC-Servomotor 2250 ... BX4 with Encoder		AES-4096	
Lines per revolution (resolution)	N	4 096	
Signal output		Synchronous Serial Interface (SSI)	
Supply voltage	U <sub>DD Enc</sub>	4,5 ... 5,5	V DC
Current consumption, typical <sup>1)</sup>	I <sub>DD Enc</sub>	typ. 16, max. 23	mA
Output current, max. (DATA) <sup>2)</sup>		4	mA
Clock Frequency, max. (CLK)		2	MHz
Input low level (CLK)		0 ... 0,8	V
Input high level (CLK)		2 ... U <sub>DD Enc</sub>	V
Setup time after power on, max.	t <sub>setup</sub>	4	ms
Operating temperature range		- 40 ... +100	°C

<sup>1)</sup> U<sub>DD Enc</sub> = 5V: with unloaded outputs

<sup>2)</sup> U<sub>DD Enc</sub> = 5V: low logic level ≤ 0,4V, high logic level ≥ 4,6V

### Features / Connector information

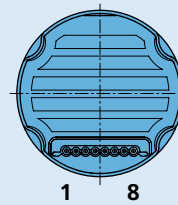
#### Options

- Connector variant (Option no. 3830)  
AWG 26 / PVC ribbon cable  
with connector Micro-Fit



#### Full product description

- Examples:  
2250S024BX4 AES-4096



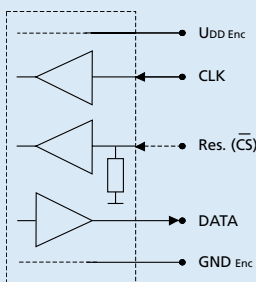
Connection Motor  
and Encoder

No.	Function
1	Phase C
2	Phase B
3	Phase A
4	GND Enc
5	U <sub>DD Enc</sub>
6	CLK
7	Res. (CS)
8	DATA

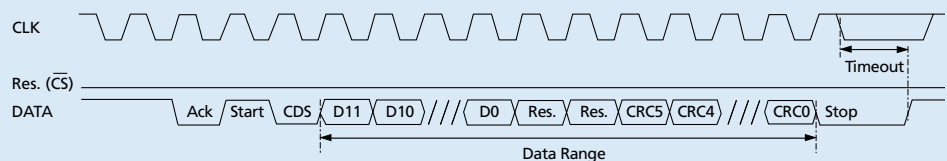
**Caution:**  
Incorrect lead connection  
will damage the  
motor electronics!

### Circuit diagram / Interface signals

#### Output circuit



#### Interface signals (SSI)



Angle position values are ascending for clockwise rotation.  
Clockwise rotation as seen from the shaft end